

# ProofVision Bluetooth Bathroom Music System

User Manual

Model: PV26BT



## Quick reference guide

1. Important safety instruction .....	2
2. Ceiling speakers / in-wall speakers .....	3
3. Operating instruction .....	6
3. Remote Control .....	7
4. Bluetooth pairing Method .....	8

# Important safety instructions

Before installing the unit, please read and follow the instructions provided in the Installation Manual included in this kit.

Before operating the unit, please read and follow the instructions provided in this User Manual thoroughly and save it for future reference.

WARNING - To reduce the risk of fire or electric shock :install in accordance with the manufacturer's instructions



- do not attempt to disassemble this unit
  - do not block any ventilation openings
  - do not install near any heat sources such as radiators, stoves or other equipment that produce heat.
- You are cautioned that any changes or modifications not expressly mentioned in this manual could affect the normal operation of this equipment.

This product has been designed and tested to provide reasonable protection against harmful interference in residential installation. However there is no guarantee that interference will not affect in a particular installation. In these cases, reorient the receiving antenna, try to increase the separation between the equipment and the source of interference and/or connect the equipment into an outlet on a circuit different from that to which the source of interference is connected.

The entire risk of the installation, use, results and performance are borne by you.

When a socket plug, or a device connector is used as a mechanism to disconnect from the electrical mains, the mechanism must be easily accessible at all times. Protect the power cord from being walked on or pinched particularly at plugs and the point where they exit from the apparatus.

Only use attachments/accessories specified by the manufacturer.

Use a certified technician for installation, repair and/or maintenance of this equipment and comply with all the regulations in force in each country. Servicing maybe required when the apparatus has been damaged in any way, such as power-supply cord or plug is damaged, liquid has been spilled or objects have fallen into the apparatus, the apparatus has been exposed to water dripping or splashing, does not operate normally, or has been dropped.

To change the batteries remove the cover by pressing on the tab while lifting the cover. Use batteries type. AA1,5V. Do not discard used batteries with household waste.



# Ceiling speakers/in-wall speakers installation

## Getting the best performance from your ceiling speakers and In-wall speakers

The following information is a short guide to Installing ceiling and In-wall speakers. Reading through the information before attempting speaker installation will ensure you get the best performance from your in-wall and ceiling speakers

### Precaution

Turn off all system power before connecting speakers.  
Always wear protective eye wear when using tools.  
Wear gloves when working with fibreglass loft insulation.

### Necessary Installation Tools

- Drill
- Drill Bit 1/4" ~ 1/2"
- Stiff Wire (coat hanger or fish tape)
- 1" Flat Bit (use if drilling through studs)
- Gloves
- Phillips Screwdriver
- Wire Strippers
- Plasterboard Saw
- Pencil

### Step 1 – Choose Speaker Placement:

All applications apply for Ceiling and In-Wall speaker installation. The In-Wall and Ceiling speakers may be used in new or existing ceiling or wall installations to reproduce stereo music or home cinema surround sound.

### Placing Speakers for Stereo Sound

In-Ceiling and In-Wall speakers have a uniform (hemispherical) dispersion and do not require special orientation for good sound. For stereo music listening, place the speakers in the ceiling or wall, to the left and right.

Think of your listening area as one tip of a triangle with each leg of the triangle being equal. See speakers FL (front left) and FR (front right) in Figure 1 below. Place the speakers as close as possible to the two points they represent on the triangle.

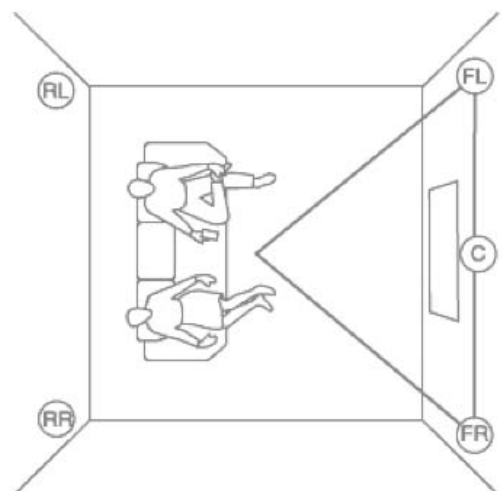


Figure 1.

# Ceiling speakers/in-wall speakers installation

## Placing Speakers for Surround Sound

For surround sound the minimum amount of speakers used will be five. Three at the front, FL (front left channel) FR (front right channel) and C (centre channel) and two at the back, RL (rear left) and RR (rear right). The front three speakers need to be on a level plane as possible with your ears whilst in your seating position. This can either be achieved using in-wall speakers or the purpose built surround sound ceiling speakers which have angled drive units that point directly down to your listening position. The two rear speakers need to be placed left and right and directly behind your seating position, see Figure 1 on previous page.

## Designing For Even Sound Distribution

When designing ceiling speaker systems in a multi-room environment, an important goal is uniform sound coverage throughout the home. The goal should be to distribute the sound evenly in a way that will not interfere with conversation and general day to day activities. In rooms where listening to music isn't a primary objective (i.e back ground music) it is best to place the speakers around the perimeter of room. It is especially important not to mount speakers above dining tables or seating areas so that people are not sitting directly under a speaker.

In locations where the primary objective is to listen to music the speakers can be placed evenly left and right of the rooms main seating position as mentioned above.

If you need further help with the placement of your ceiling speakers please call or email us.

## Step 2 - Check For Obstructions:

If an obstruction is found behind the plasterboard in the proposed location, you will need to choose a different location for the speaker. Before installing In-Wall or Ceiling speakers in pre-existing plasterboard, check for joists or any other obstructions, such as metal pipes, which are hidden from your view.

## Stud Locator:

The easiest, most efficient way to detect obstructions behind plasterboard is to use a stud finder. At each proposed speaker location, use the stud locator to find an open space. Try to centre each speaker between the joists. Slide the stud locator horizontally and vertically across the ceiling or walls to locate the joists or any other obstructions.

## Step 3 – Cut Speaker Openings:

1. At each speaker location, use the cardboard template to trace a cut line onto the ceiling or wall.  
The Dimensions for the speaker, 229 x 229 x 145mm
2. At each location, drill a small hole in the plasterboard at the centre of the outline.
3. Bend a piece of stiff wire (e.g. coat hanger) about 6 inches from the end at a 90 – degree angle.  
Insert the bent end into the hole and rotate the wire to check for any obstructions. If you hit anything, patch the hole with plasterboard filler and choose a different installation location.
4. Using a fine – Plasterboard saw, carefully cut out each opening.
5. When finished cutting, remove plasterboard scrap from hole.

# Ceiling speakers/in-wall speakers installation

## Step 4 – Connecting Speakers:

1. Strip the speaker wire with a pair of wire strippers.
2. Carefully strip off 50mm of the outer jacket. This will reveal the conductor contained inside – two conductors for 2 conductor wire; four conductors for 4 conductor wires.
3. Conductors are protected by a plastic, colour-coded insulation jacket that must also be stripped. Carefully strip 15mm of insulation off the conductors that you need. This will expose the copper wire contained within. You are now ready to connect the wire to your speaker.
4. When connecting wires, observe the proper polarity of your amplifier (+) to (+) Red conductor (-) to (-) Black conductor also make sure that the left channel of the amplifier is connected to the left speaker, and the right channel is connected to the right speaker. For surround Sound, connect the speaker to the appropriate channel on the amplifier or receiver.
5. Now connect the (-) and (+) conductors cables to the corresponding (-) and (+) speaker terminals. Gently pull on the wire to verify a secure connection.

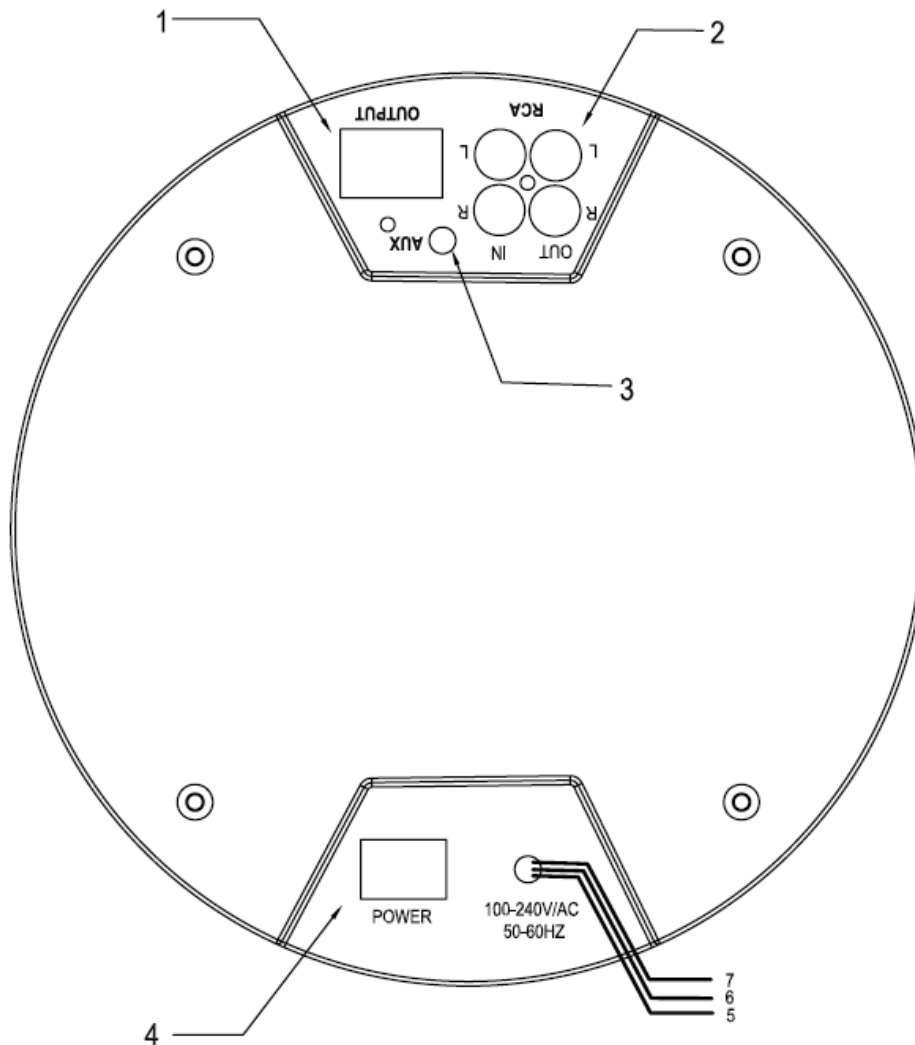
## Step 5 – Installing the Speakers:

1. The easy and fast clamp installation procedure found on all the speakers that we supply, allows you to simply clamp your speaker in place. Remove the grill by gently pushing one of clamp legs toward the front of the speaker. They should lie in the full clockwise position so that all clamps lay within the speaker cut-out.
2. Insert the speaker into the cut hole bringing the outer edge flush with the ceiling/wall. Use a Philips screwdriver to tighten the four screw heads located around the front edge of the speaker. This will automatically rotate the clamps behind the plasterboard and securely grip your speaker flange to the ceiling/wall.
3. When you notice resistance in the tightening of all four screws the speaker has been successfully sandwiched between the plasterboard and the speaker flange. The clamps provide a tight fit and prevent unwanted vibration.
4. The screws should not be tightened so far that the flange bows, this will make the grill hard to fit. If this occurs, back off the tension on the screws a little.
5. Gently push the speaker grill into the speaker baffle.

## Painting The Speakers - Optional

If you plan on painting your speakers we advise you not to as it is not included in the manufacture warranty. If deciding to paint the speakers we advise you to paint only the grills of the speakers as they can detached, making sure you don't clog the holes which allow the sound to go through, wait until the paint is fully dry before placing it back onto the speakers. Do not paint grills whilst it is attached to the speakers.

# Operating instructions



- 1 Main speaker output
2. RCA Input/output
3. AUX Input
4. Power Switch
5. Live wire: Black colour
6. Zero wire: White colour
7. Earth wire :Green colour

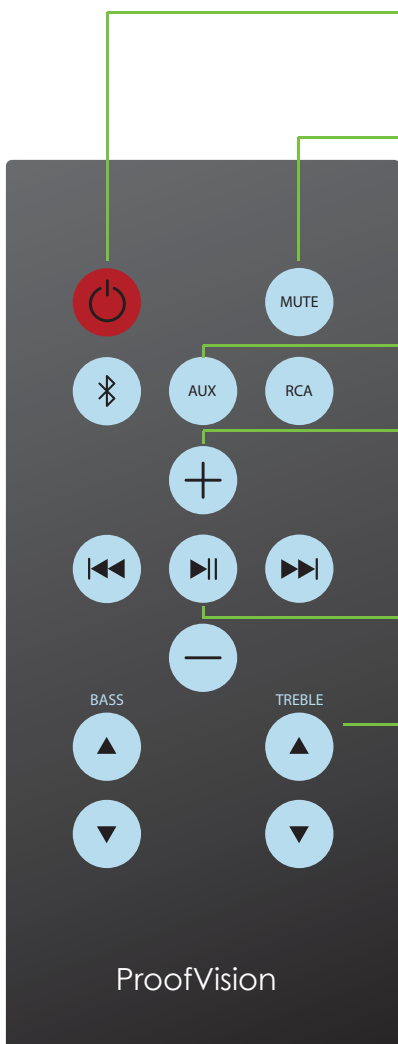
## Connect AC power

Connect the AC power cable to the AC  
(Live wire: Black colour, Zero wire: White colour, Earth wire :Green colour)

## Connect Passive speaker cable

Connect speakers together

## Remote control



1. ON/ OFF key:

This will turn the unit on and off.

2. Mute:

Press when you want to mute and un-mute

3. Mode Selection(Music Source Selection)

Press "Bluetooth/AUX/RCA" button on the remote control to select music source

4. Increase/decrease in volume level:

Adjust the Volume level of the unit (+ = up )(- = down). Remote control selection :Press 'VOL+', increase the volume;press 'VOL-', decrease the volume.

5. Play Pause Forward and Backwards:

Play or pause your music, Press 'Play', to play;Press 'Play' again, to pause., switch back to previous music or skip forward.

6. Increase/ decrease in Bass and treble.

Use the + and - buttons to change settings .

Bass and Treble Adjusting

Press 'Bass+', 'Bass-' to adjust bass.

Press 'Treble+', 'Treble-' to adjust treble.

## Bluetooth pairing method

1. Automatic reconnection mode: press the "Bluetooth" button and enter it in to Bluetooth mode, once done you will get a noise alert "one beep' this will mean you devise is automatically detected. When the Bluetooth device is successfully paired ,you will get another alert "with 2 beeps".
2. Forced pairing mode: Press the "Bluetooth" button for 3 seconds, this will connect into the forced pairing mode. you will know when the device is paired via Bluetooth when you get a noise alert with a high pitched beep.
3. Open your Bluetooth on your device you will find this in your settings, Once you have turned the Bluetooth on your device, your device will automatically start to search for Bluetooth device to pair with the Bluetooth you will have to connect to the device named " ProofVision'".
4. Your Bluetooth device is successfully paired when you hear a noise alert "2 beeps rising" this is when you are able to play your own music .
5. Bluetooth will be disconnected when you hear the noise alert. If Bluetooth is turned off or not in the range of the Bluetooth working distance. you will hear 2 beeps descending.



# Specification

## General

AC input	100-240V 1A
Power consumption	80 W
Size	Φ238*140 mm
Net weight(approximately)	2.5kg
Operating temperature	-5°C ~55°C (23°F ~131°F)
Operating humidity	5% ~ 95%

## Input

AUX IN	700mV (3.5mm Stereo Jack)
RCA IN	700mV (RCA)

## Amplifier

Power output	30W X 2ch (1kHz:8Ω)
T.H.D	1%